

# FAIRBANKS®

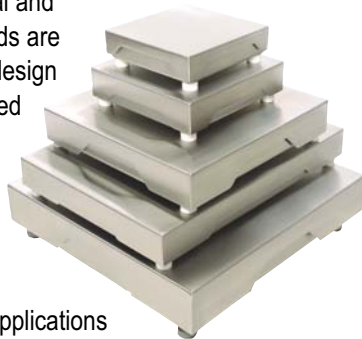
## STAINLESS STEEL BENCH STANDS



Fairbanks space-saving Stainless Steel Bench Stands come in two standard sizes, but offer a variety of configuration options to fit most any bench scale weighing application.

### MADE TO SUPPORT FAIRBANKS QUICKSILVER PLATFORMS

Fairbanks bench stands are constructed of high-quality 304 Series stainless steel that's easy-to-clean and provides long-term strength and durability in food preparation, chemical and pharmaceutical environments. These stands are designed for use with Fairbanks sanitary-design QuickSilver platforms and can be configured with mounting hardware to accommodate just about any scale instrument on today's market.



### BENCH STAND CONFIGURATIONS

Fairbanks' small bench stand is ideal for applications that require a 10" x 10" or 12" x 12" QuickSilver platform. The large stand handles all QuickSilver platforms (10" x 10" to 24" x 24"). Both stands can be configured to handle different size and style instruments by adding a Yoke, Plate or Bracket Kit. Either can also be outfitted with an optional Wheel and Handle Kit for easy portability.

Fairbanks offers a Shelf Kit for the large stand that supports a Fairbanks FB3000 Solutions Series Instrument and EasyCoder® PM4i printer for bar code labeling applications.

The large stand also allows the instrument pillar to be mounted in three locations — left, center or right.

### EASY TO ASSEMBLE

Fairbanks bench stands come with easy-to-follow assembly instructions. Assembly time is estimated at 30 minutes or less.

### SPECIFICATIONS

Construction . . . . .	304 Series stainless steel
Capacity	
Small stand . . . . .	Up to 250 lbs
Large stand . . . . .	Up to 600 lbs
Scale size	
Small stand . . . . .	10" x 10" and 12" x 12" QuickSilver Bench Scale platforms
Large stand . . . . .	All QuickSilver Bench Scale platforms
Accessories . . . . .	<b>Pillar Yoke Kit</b> — Designed for use with Fairbanks stainless steel NexWeigh or FB2250 Series instruments; or any manufacturers stainless instrument with 11" width.

**Pillar Plate Kit** — Designed for any stainless Fairbanks instrument that mounts with a desk/wall bracket and most other manufacturers stainless instruments with a desk/wall mount bracket.

**Pillar Bracket Kit** — Designed for use with Fairbanks stainless steel instruments; or any manufacturer's stainless steel instrument with a side-mount width of 8.13"-12.5".

**Pillar Shelf Kit** — Designed for mounting Fairbanks FB3000 Series Instruments and bar code printers or other instrument-printer combinations.

**Portability Kits** - Wheels and handles.

Dimensions . . . . . Shown on back page

### QuickFacts™

Models and specifications subject to change without notice.  
Printed in the USA. © Fairbanks Scales Inc.  
www.Fairbanks.com



St. Johnsbury manufacturing  
facility registered in  
compliance with ISO 9001:2000.

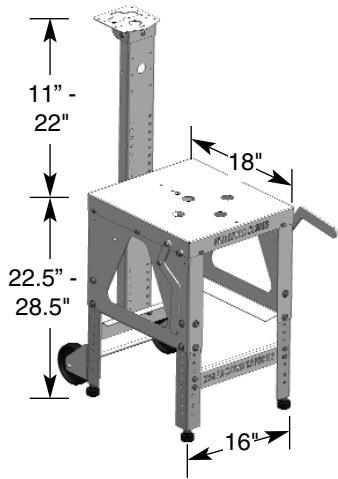
Call toll-free for the Fairbanks representative nearest you:

**(800) 451-4107**

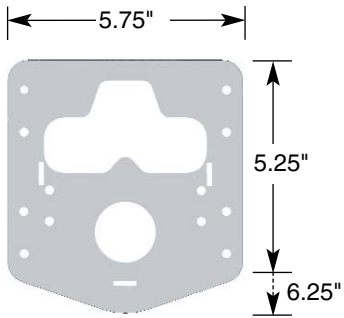
# FAIRBANKS®

## STAINLESS STEEL BENCH STANDS DIMENSIONS

**SMALL STAND WITH PORTABILITY KIT AND PLATE KIT**

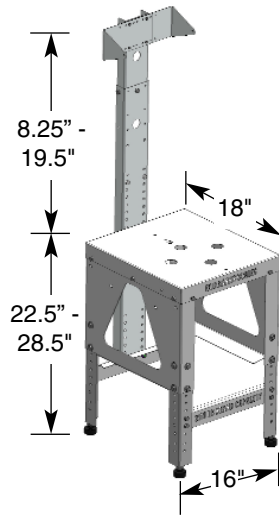


**PLATE KIT**

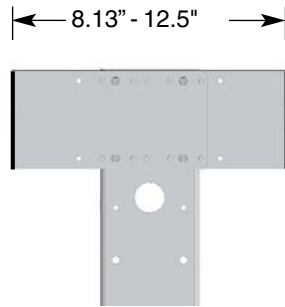


(Top View)

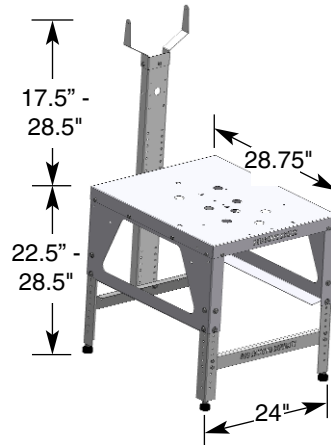
**SMALL STAND WITH EXTENSION AND BRACKET KIT**



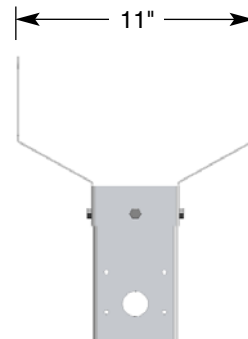
**BRACKET KIT**



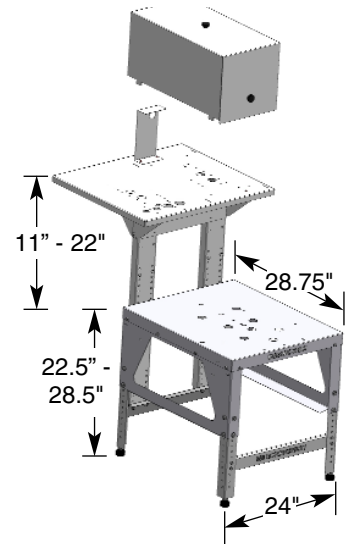
**LARGE STAND WITH YOKE KIT**



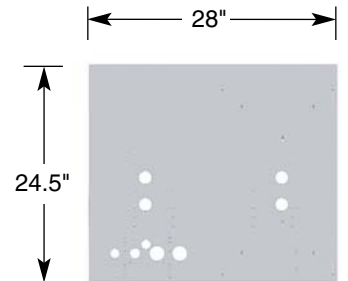
**YOKE KIT**



**LARGE STAND WITH SHELF KIT**



**SHELF KIT**



(Top View)

**QuickFacts™**

Models and specifications subject to change without notice.  
Printed in the USA. © Fairbanks Scales Inc.

Call toll-free for the Fairbanks representative nearest you:

**(800) 451-4107**

Internet Address: <http://www.Fairbanks.com>

11/09

100063